

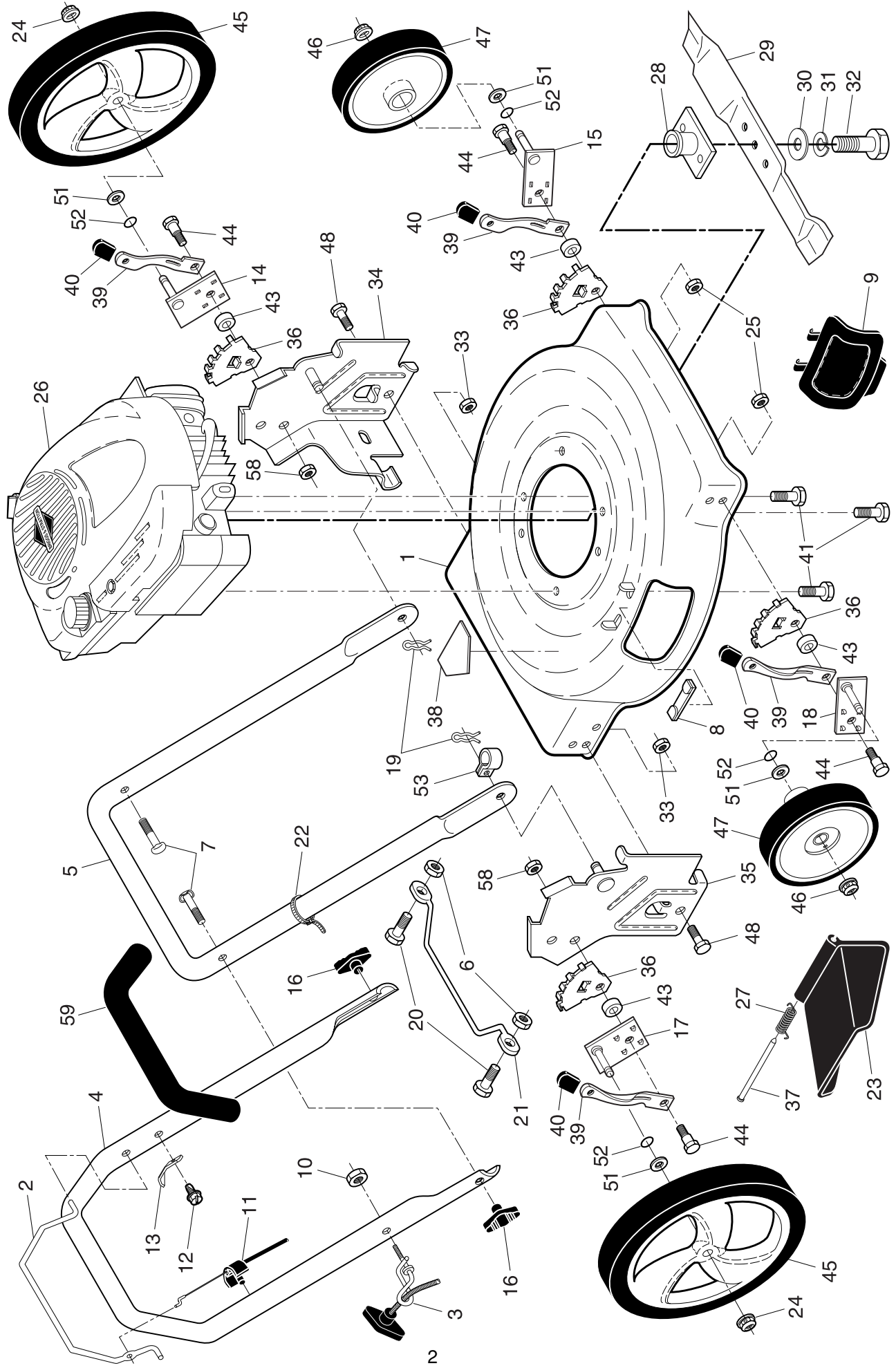
**ILLUSTRATED PARTS LIST**

**MODEL NUMBER 6056SM**

**PRODUCT NUMBER 961 11 00-09**

**MFG. ID. NUMBER 96111000901**

ROTARY LAWN MOWER -- MODEL NUMBER 6056SM (9611100901) PRODUCT NUMBER 961 11 00-09



# ROTARY LAWN MOWER - - MODEL NUMBER 6056SM (9611100901) PRODUCT NUMBER 961 11 00-09

KEY NO.	PART NO.	DESCRIPTION	KEY NO.	PART NO.	DESCRIPTION
1	532 18 52-63	Lawn Mower Housing (Includes Key Number 38)	28	532 19 37-07	Blade Adapter
2	532 16 17-48	Control Bar	29	<b>532 19 93-79</b>	22" Blade
3	<b>532 19 47-88</b>	Rope Guide	30	532 85 10-74	Hardened Washer
4	532 17 36-93	Upper Handle (Includes Foam Grip)	31	532 85 02-63	Helical Lockwasher 3/8
5	532 17 42-91	Lower Handle	32	532 85 10-84	Hex Head Screw 3/8-24 x 1/4 Grade 8
6	532 06 91-80	Locknut, Hex 1/4-20	33	873 80 05-00	Locknut 5/16-18
7	532 19 15-74	Handle Bolt 5/16-18	34	<b>532 40 35-08</b>	Wheel Bracket, Support, LH
8	532 16 16-22	Clip, Closeout	35	<b>532 40 35-07</b>	Wheel Bracket, Support, RH
9	532 16 08-30	Plate, Mulcher	36	532 16 57-04	Wheel Bracket, Adjuster
10	532 13 20-04	Nut, Hex	37	532 16 08-33	Hinge Rod
11	<b>532 18 35-67</b>	Engine Zone Control Cable	38	532 18 21-66	Danger Decal
12	532 75 06-34	Hex Thread Rolling Screw #10-24 x 1/2	39	532 16 85-99	Selector Spring
13	532 12 51-62	Up-Stop Bracket	40	532 08 78-77	Selector Knob
14	<b>532 18 36-61</b>	Axle Arm Assembly, Rear, LH	41	532 15 04-06	Hex Head Thread Rolling Screw 3/8-16 x 1
15	532 18 92-77	Axle Arm Assembly, Front, LH	43	532 18 39-01	Washer
16	532 19 19-38	Handle Knob	44	532 16 08-28	Shoulder Bolt
17	<b>532 18 36-62</b>	Axle Arm Assembly, Rear, RH	45	<b>532 40 35-09</b>	Wheel & Tire Assembly, Rear, 14"
18	532 18 92-78	Axle Arm Assembly, Front, RH	46	532 08 39-23	Locknut, Hex 5/16-18
19	532 05 17-93	Hairpin Cotter	47	<b>532 40 34-95</b>	Wheel & Tire Assembly, Front, 8"
20	532 08 58-25	Hex Head Screw 1/4	48	874 76 05-14	Hex Head Bolt 5/16-18 x 3/4
21	532 15 41-47	Footguard	51	532 08 83-48	Washer, Flat
22	532 06 64-26	Wire Tie	52	<b>532 19 74-80</b>	O-Ring
23	532 16 08-31	Discharge Guard	53	<b>532 19 79-91</b>	Clip, Cable
24	<b>532 14 52-12</b>	Nut, Hex	58	<b>532 75 11-53</b>	Nut, Hex, Centerlock 5/16-18
25	532 16 67-85	Nut, Hex	59	532 16 42-65	Grip, Foam
26	---	Engine, Briggs & Stratton, Model Number 12H802 (Order parts from engine manufacturer)	--	532 18 21-91	Warning Decal (not shown)
27	532 19 34-36	Torsion Spring	--	532 19 70-59	Operator's Manual, European
			--	532 19 70-60	Operator's Manual, Scandinavian

**NOTE:** All component dimensions given in U.S. inches. 1 inch = 25.4 mm. **IMPORTANT:** Use only Original Equipment Manufacturer (O.E.M.) replacement parts. Failure to do so could be hazardous, damage your lawn mower and void your warranty.